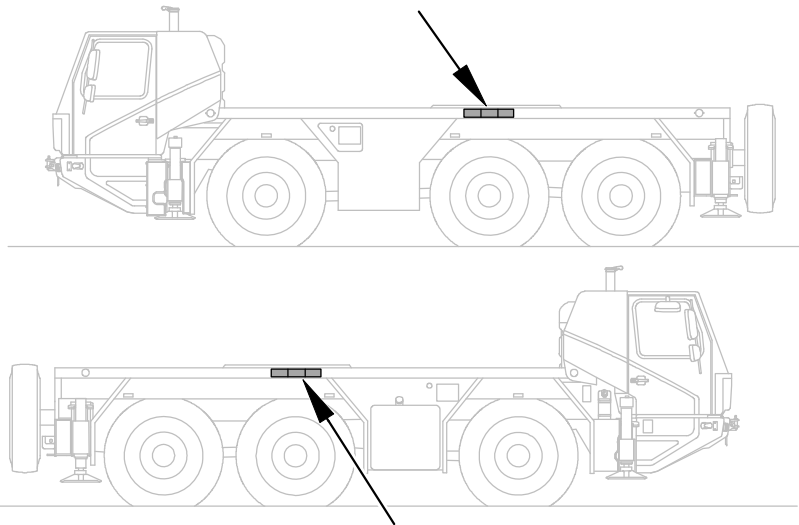


	BESCHILDERUNG ENGLAND SIGNS AND SYMBOLS ENGLAND	BILDTAFEL PICTORIAL DISPLAY		GMK3060
		02.17	3156835-ETL A	

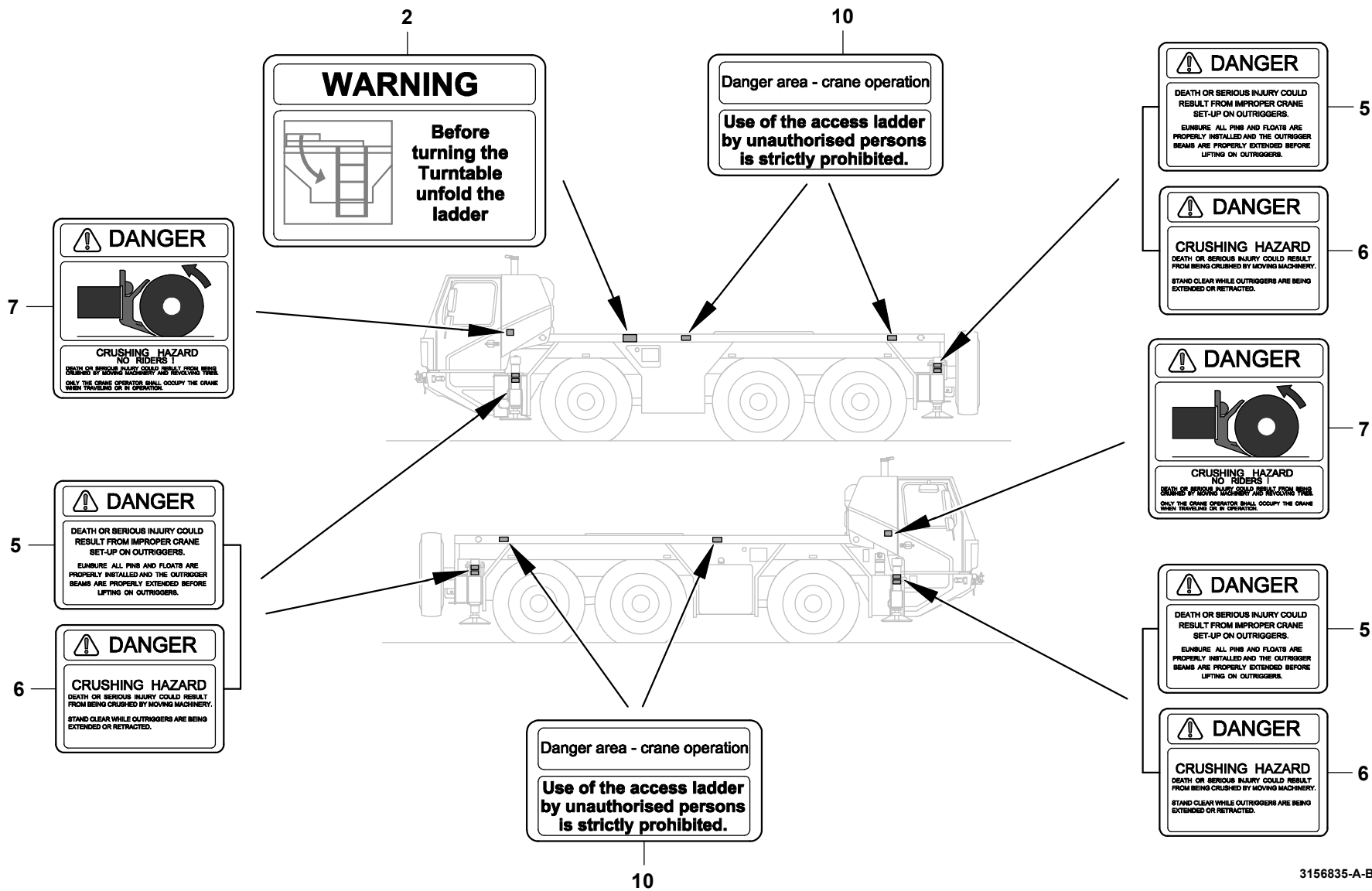
1

<p>DO NOT PASS LOADS OR BOOM OVER GROUND PERSONNEL.</p>	<p>⚠ DANGER</p> <p>TWO-BLOCKING HAZARD</p> <ul style="list-style-type: none"> TO AVOID DEATH OR SERIOUS INJURY, KEEP LOAD HANDLING DEVICES AWAY FROM BOOM/TIP WHEN EXTENDING OR LOWERING THE BOOM AND WHEN HOISTING UP. THIS CRANE SHOULD HAVE A FUNCTIONAL ANTI-TWO-BLOCK AND CONTROL LOCK-OUT SYSTEM. TEST DAILY FOR PROPER OPERATION. FOLLOW INSTRUCTIONS IN OPERATOR'S AND SAFETY HANDBOOK. 	<p>THIS CRANE IS NOT INSULATED.</p>	<p>⚠ DANGER</p> <p>ELECTROCUTION HAZARD</p> <p>TO AVOID DEATH OR SERIOUS INJURY, KEEP ALL PARTS OF THIS MACHINE, THE RIGGING, AND MATERIALS BEING LIFTED AT LEAST 20 FEET AWAY FROM ALL ELECTRICAL POWER LINES AND EQUIPMENT.</p> <p>KEEP AWAY FROM THIS MACHINE IF IT IS BEING OPERATED NEAR ELECTRICAL POWER LINES OR EQUIPMENT.</p> <p>BEFORE OPERATING THIS CRANE IN THE VICINITY OF POWER LINES OR EQUIPMENT, NOTIFY THE POWER UTILITY COMPANY. HAVE POWER TURNED OFF.</p> <p>FOLLOW INSTRUCTIONS IN OPERATOR'S AND SAFETY HANDBOOK.</p>	<p>POSITION CRANE ON FIRM SURFACE. EXTEND OUTRIGGERS AND LEVEL CRANE.</p>	<p>⚠ DANGER</p> <p>TIPPING HAZARD</p> <ul style="list-style-type: none"> TO AVOID DEATH OR SERIOUS INJURY, ENSURE LOAD AND CRANE'S CONFIGURATION IS WITHIN CAPACITY AS SHOWN ON CRANE'S LOAD RATING CHART AND NOTES. THIS CRANE SHOULD HAVE A FUNCTIONAL LOAD MOMENT INDICATOR AND CONTROL LOCK-OUT SYSTEM. TEST DAILY FOR PROPER OPERATION. FOLLOW INSTRUCTIONS IN OPERATOR'S AND SAFETY HANDBOOK.
--	--	--	---	--	--

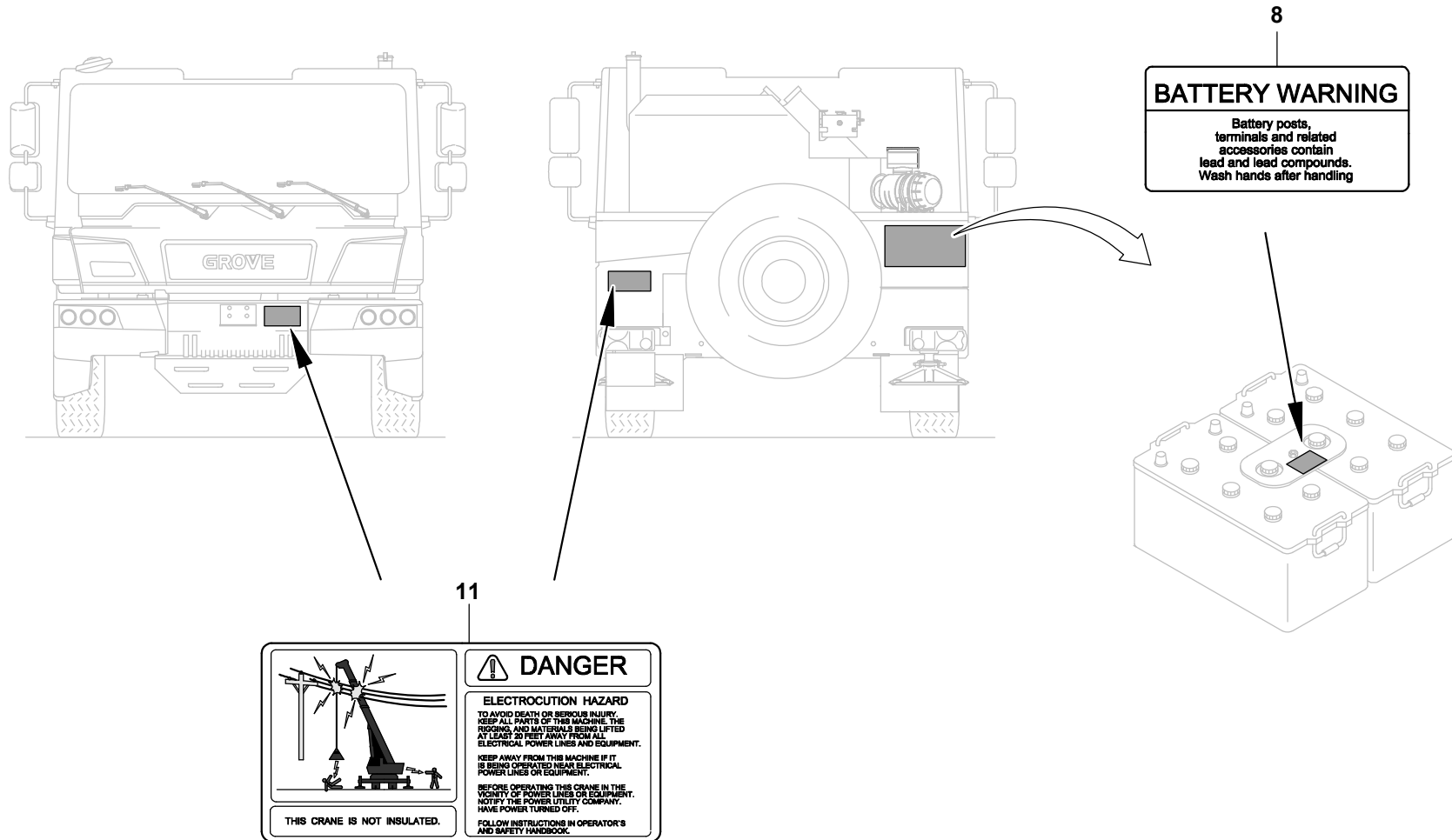


<p>DO NOT PASS LOADS OR BOOM OVER GROUND PERSONNEL.</p>	<p>⚠ DANGER</p> <p>TWO-BLOCKING HAZARD</p> <ul style="list-style-type: none"> TO AVOID DEATH OR SERIOUS INJURY, KEEP LOAD HANDLING DEVICES AWAY FROM BOOM/TIP WHEN EXTENDING OR LOWERING THE BOOM AND WHEN HOISTING UP. THIS CRANE SHOULD HAVE A FUNCTIONAL ANTI-TWO-BLOCK AND CONTROL LOCK-OUT SYSTEM. TEST DAILY FOR PROPER OPERATION. FOLLOW INSTRUCTIONS IN OPERATOR'S AND SAFETY HANDBOOK. 	<p>THIS CRANE IS NOT INSULATED.</p>	<p>⚠ DANGER</p> <p>ELECTROCUTION HAZARD</p> <p>TO AVOID DEATH OR SERIOUS INJURY, KEEP ALL PARTS OF THIS MACHINE, THE RIGGING, AND MATERIALS BEING LIFTED AT LEAST 20 FEET AWAY FROM ALL ELECTRICAL POWER LINES AND EQUIPMENT.</p> <p>KEEP AWAY FROM THIS MACHINE IF IT IS BEING OPERATED NEAR ELECTRICAL POWER LINES OR EQUIPMENT.</p> <p>BEFORE OPERATING THIS CRANE IN THE VICINITY OF POWER LINES OR EQUIPMENT, NOTIFY THE POWER UTILITY COMPANY. HAVE POWER TURNED OFF.</p> <p>FOLLOW INSTRUCTIONS IN OPERATOR'S AND SAFETY HANDBOOK.</p>	<p>POSITION CRANE ON FIRM SURFACE. EXTEND OUTRIGGERS AND LEVEL CRANE.</p>	<p>⚠ DANGER</p> <p>TIPPING HAZARD</p> <ul style="list-style-type: none"> TO AVOID DEATH OR SERIOUS INJURY, ENSURE LOAD AND CRANE'S CONFIGURATION IS WITHIN CAPACITY AS SHOWN ON CRANE'S LOAD RATING CHART AND NOTES. THIS CRANE SHOULD HAVE A FUNCTIONAL LOAD MOMENT INDICATOR AND CONTROL LOCK-OUT SYSTEM. TEST DAILY FOR PROPER OPERATION. FOLLOW INSTRUCTIONS IN OPERATOR'S AND SAFETY HANDBOOK.
--	--	--	---	--	--

1



GROVE [®]	BESCHILDERUNG ENGLAND SIGNS AND SYMBOLS ENGLAND	BILDTAFEL PICTORIAL DISPLAY		GMK3060
		02.17	3156835-ETL A	



GROVE

BESCHILDERUNG ENGLAND
 SIGNS AND SYMBOLS ENGLAND

BILDTAFEL
 PICTORIAL DISPLAY

GMK3060

02.17

3156835-ETL A

4/4

14

